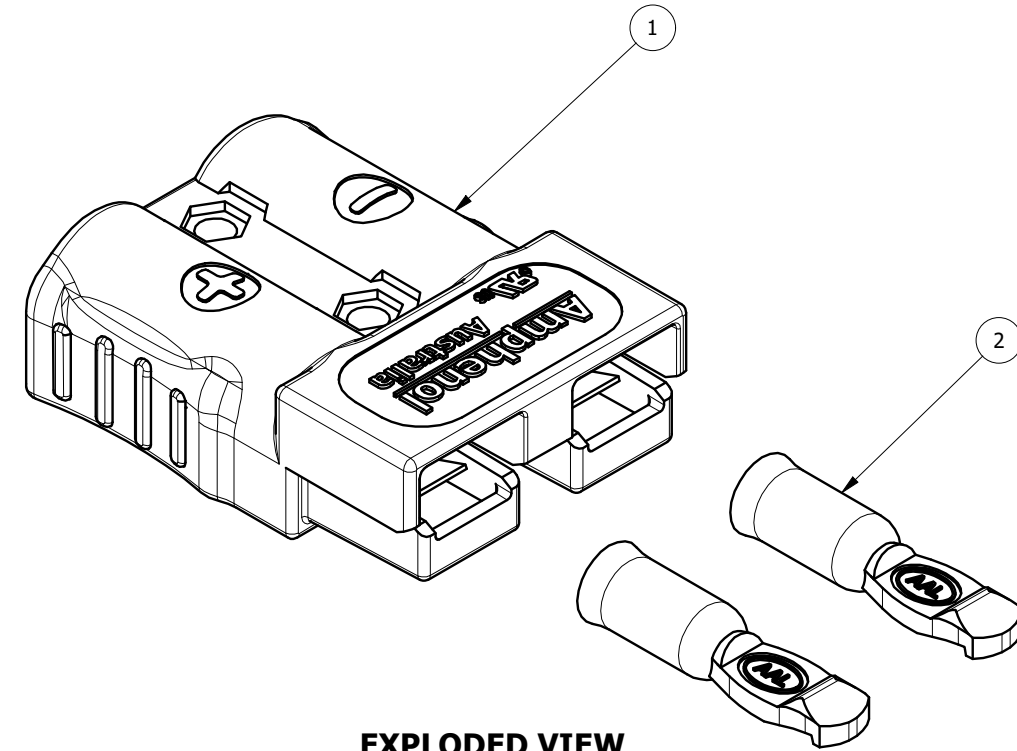
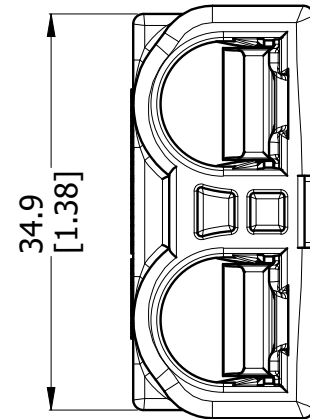
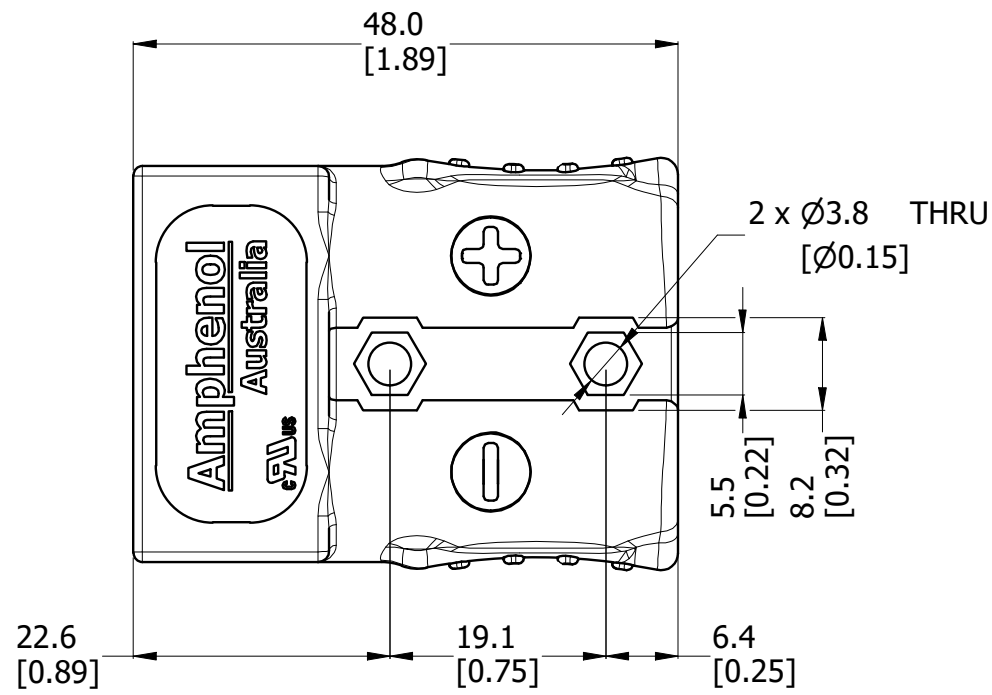




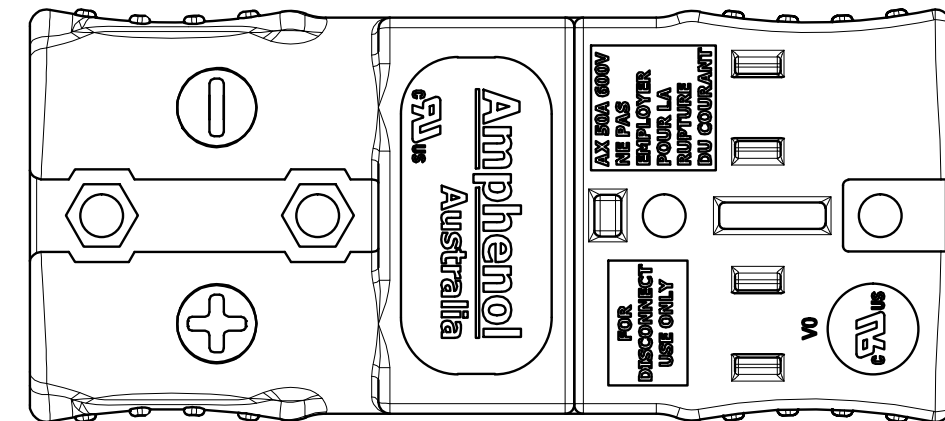
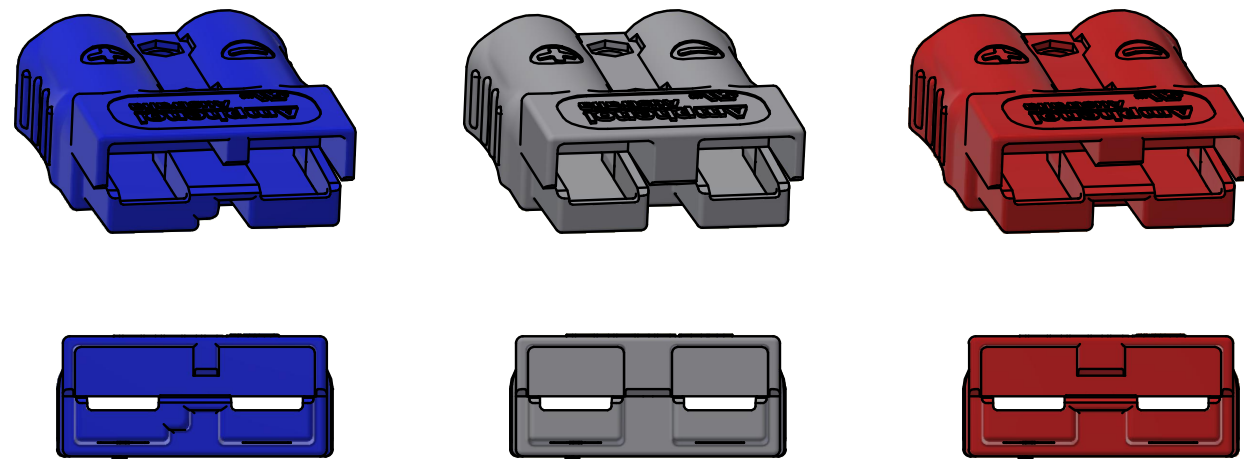
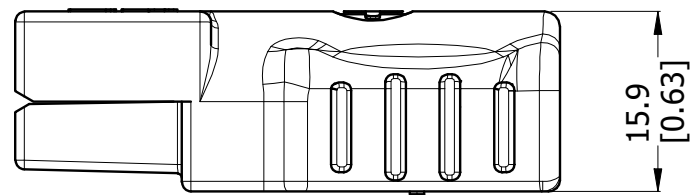
PART NUMBER BREAKDOWN AXC500H6

HOUSING COLOUR	
0	= BLACK
2	= RED
6	= BLUE
8	= GREY

CABLE WIRE GAUGE	
6	= 6 AWG
8	= 8 AWG
10	= 10/12 AWG



EXPLODED VIEW



MATED VIEW

NOTES:
MATING KEYWAY FOR THE BLACK HOUSING IS SAME AS GREY.

PART LIST			
ITEM	DESCRIPTION	MATERIAL	QTY
1	AXC50 SERIES HOUSING	POLYCARBONATE, UL94-V0	1
2	AXC50 SERIES CONTACT	COPPER ALLOY PLATED WITH SILVER	2

UNLESS OTHERWISE SPECIFIED TOLERANCE TO BE:		THIS DOCUMENT IS THE PROPERTY OF AMPHENOL AUSTRALIA PTY. LTD. NO PART THEREOF MAY BE REPRODUCED AND USED WITHOUT THE PRIOR WRITTEN CONSENT OF THE OWNER			
LINEAR	ANGULAR	MATERIAL:	DRN:	M.C.	DATE: 18/11/2024
X ±0.5	X° ±1	SEE NOTES	CKD:	P.M.	DATE: 18/11/2024
X.X ±0.1	X°X' ±30'		APP'D:	P.M.	DATE: 18/11/2024
X.XX ±0.05	X°XX' ±15'		SCALE: NTS	SIZE: A3	
BREAK ALL SHARP EDGES AND REMOVE ALL BURRS		FINISH: HIGH GLOSS			
DO NOT SCALE		DIMENSIONS IN MILLIMETRES			

Amphenol		Amphenol Australia Pty.Ltd. 22 Industry Blvd Carrum Downs, VIC 3201	
TITLE: AXC50 SERIES CONNECTOR		PART No: SEE PART NUMBER BREAKDOWN	REV 1
		DRAWING No. 80450002-531-1	SHEET 1/1